

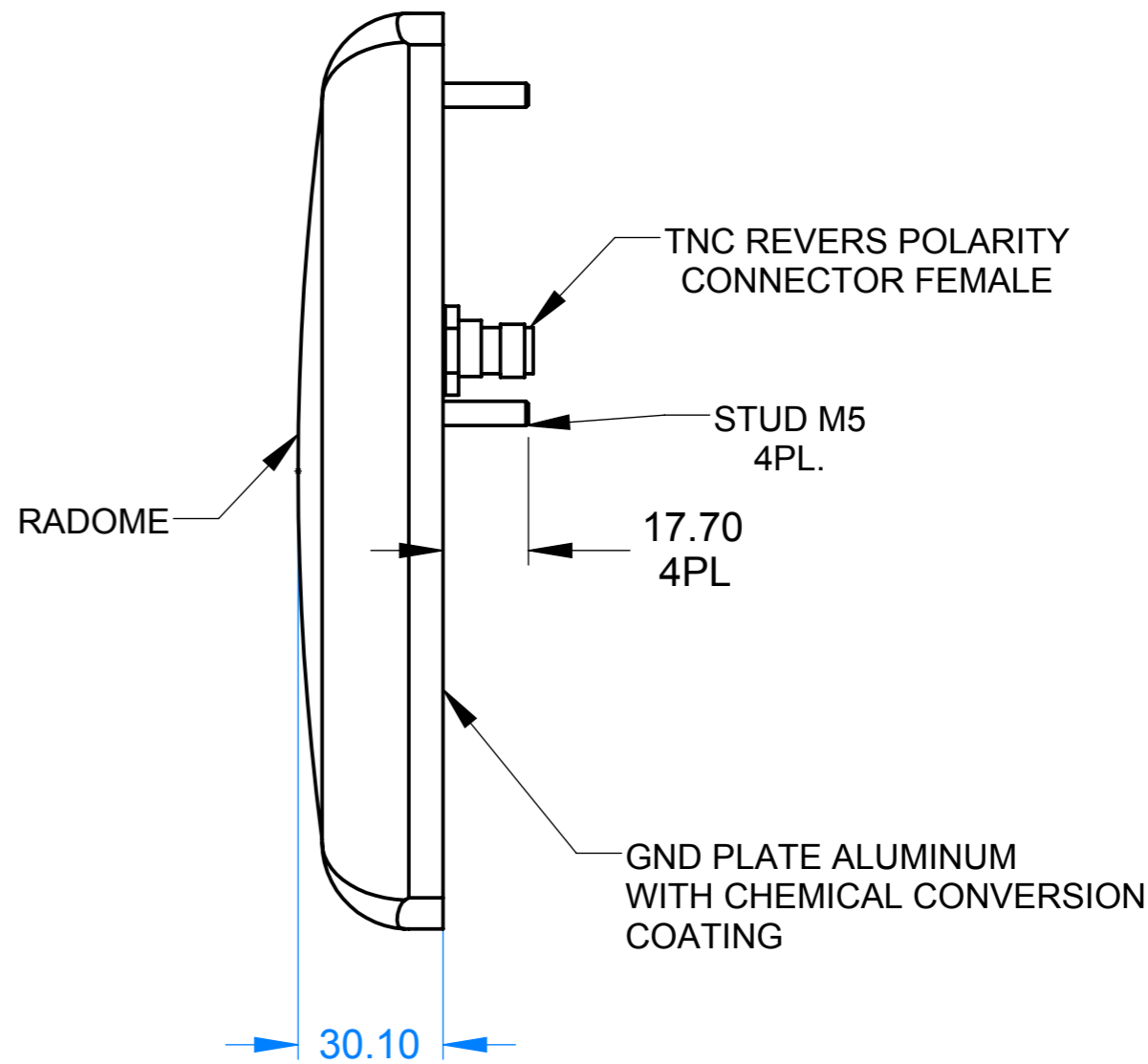
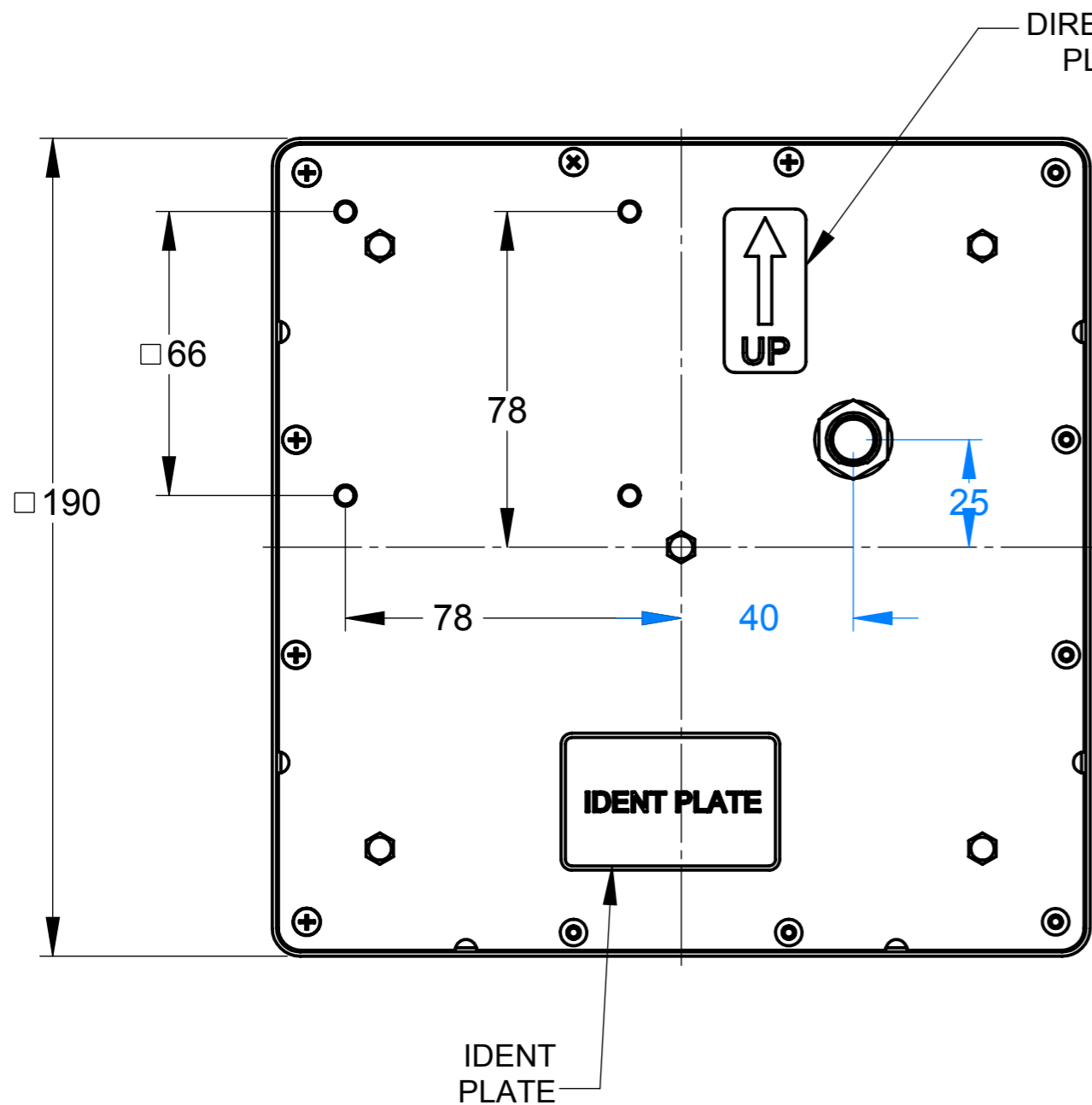
THIS DOCUMENT AND THE INFORMATION CONTAINED IN IT ARE PROPRIETARY AND CONFIDENTIAL TO M.T.I. NO PERSON IS ALLOWED TO COPY, REPRINT, REPRODUCE OR PUBLISH ANY PART OF THIS DOCUMENT, NOR DISCLOSE ITS CONTENTS TO OTHERS, NOR MAKE ANY USE OF IT, NOR ALLOW OR ASSIST OTHERS TO MAKE ANY USE OF IT - UNLESS BY THE PRIOR WRITTEN EXPRESS AUTHORIZATION OF M.T.I. AND THEN ONLY TO EXTENT AUTHORIZED. (C) COPYRIGHT - M.T.I. WIRELESS EDGE LTD.

SHEET REVISION STATUS

5	4	3	2	1	SHEET NO
				A	LATEST REV

DESCRIPTION

REV	ECO	REVISION RECORD	APVD	DATE
A	CX72	RELEASED	VIVIAN	6.8.07



ALL DIMENSIONS ARE REF

UNLESS OTHERWISE SPECIFIED		CONTRACT TO			
DIMENSIONS ARE IN mm PER ANSI Y14.5M-1994		DWG	VIVIAN	VIVIAN	15.7.07
TOLERANCE		CHKD	GILLER	G.H.	30.7.07
LINEAR	ANGULAR	DSGN			
± 0.2	± / °	PROJ			
		MFG			
SURFACE TEXTURE IN MICRO IN.		QA	MOTOVICH	M.M.	1.8.07



WIRELESS EDGE LTD.

ANTENNA 902-928MHz
MT-262024/TRH/A/K ICD

MT-262024/TRH/A/K

NEXT ASSY

SIZE A3

DWG NO

RD42241100C

SCALE- 1:1.5

SHEET 1 OF 1